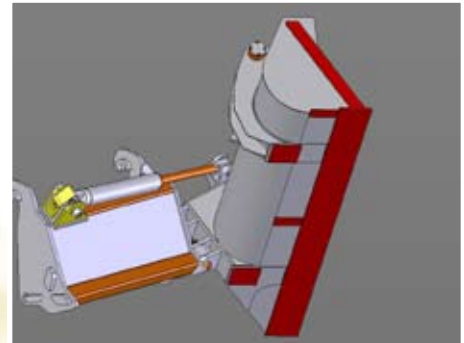
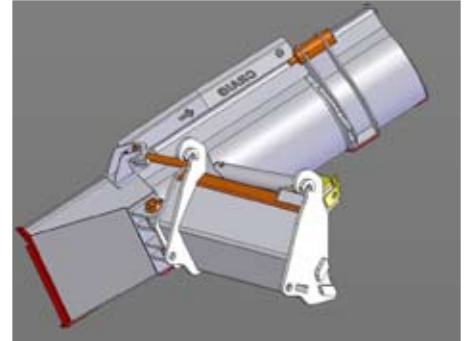


BH-SDB

# Side Dump Bucket



Working in tight quarters? The Craig Side-Dump Bucket is for you. Designed to work safely with your specific machine, the side-dump bucket allows conventional loading and lateral unloading of material. Simply pull up beside the truck or trench and dump the bucket sideways hydraulically. Eliminates excess travel and lost time.

- Boxed back frame offers superior strength and rigidity
- Equipped with a rugged 4" cushion head cylinder
- Available in Craig Quik-Key or OEM coupler & Pin-On configurations
- Available in left hand dump (standard) or right hand dump (optional)
- Mechanical side-dump lock mechanism standard. Optional hydraulic lock mechanism by request
- Optional third valve required on machine

# CRAIG

QUALITY WE STAND BEHIND

Attachments • Built Right • Fit Right

#### HEAD OFFICE

96 McLean Avenue  
Hartland, NB  
E7P 2K5

ph: (506) 375-4493  
fx: (506) 375-4848

#### CAMBRIDGE BRANCH

315 Thompson Drive  
Cambridge, ON  
N1T 2B3

ph: (519) 623-9500  
fx: (519) 623-9511

1-800-565-5007

[www.craigattachments.com](http://www.craigattachments.com)