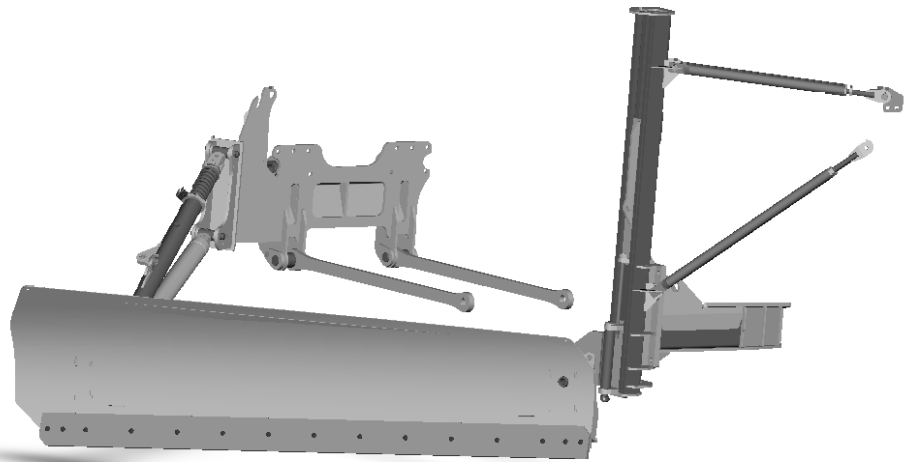


301-12RM Series

12' Wing Assembly For Motor Graders



Moldboard

- Rear mount wing assembly
- 12'-6" overall length (12' cutting edge)
- 27" intake height
- 43" discharge height
- 3/16" thick wing moldboard
- 5/8" thick x 8" cutting edge secured with 5/8" bolts (12" inches on center with extra at edges)
- 12' Reversible Steel (high abrasive) cutting edge (Carbide edge optional)

Front Post

- Snow wing fastened to front post with a 1-1/2" diameter grade 2 shear bolt
- Safety chain securely fastens the snow wing to the front post
- The front post works in conjunction with the snow wing and rear lift group.
- The front post allows 48" of shelving / benching height
- The front post features 12" of free float (Hydraulic Trip Swivel optional)
- The front post slides are actuated with a 2-1/2" bore, 1-1/2" shaft cylinder contained within the front post

Rear Lift Group and Push Pole

- Rear post mounting bracket uses a boxed section design securely mounted to the rear frame of the grader behind the right rear wheel
- Rear lift group is fully hydraulic and consists of an inner and outer push pole complete using a 4" bore, 2" shaft lift cylinder and a 3" bore, 2" push pole extension cylinder
- Rear lift group features a three (3) point hookup design, two (2) on the grader and one (1) on the wing
- The moldboard end of the push pole extends and retracts 21-1/2" hydraulically
- The mounting bracket end of the push pole features a shock absorbing spring
- All push pole lugs used to attach to cylinders used self aligning bushings press fit into the cylinder lugs
- Weight: 12' 3,610lbs (13' 3,680lbs)

Craig Manufacturing Ltd. warrants to the original purchaser all products manufactured by CRAIG to be free from defects in material and workmanship for a period of (12) months starting from the date of delivery from factory unless otherwise specified.

