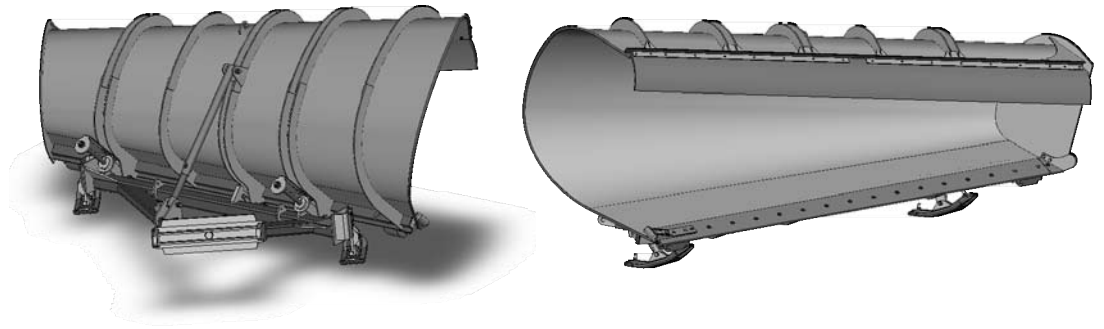


## 683 Series

# High Speed One Way Plow For Wheel Loaders



### Overview

- 121.5" cleared path
- 35° moldboard back angle
- 10 gage main sheet reinforced with 5 ribs
- 165" wide moldboard featuring 42" tall intake and 68" discharge
- Attack angle manually adjustable from 45° to 60°
- 145" long, 8" tall, 5/8" reversible cutting edge
- Cutting edge secured with 18 grade 8 5/8" bolts (8" c-c)
- 6" x 3" x 3/8" square tube steel back frame
- Push plate pivots on 1.5" grade 5 hex cap bolt allowing the plow to float laterally
- Includes 1/2" lift chain
- 2 replaceable cast wear shoes

### Options

- Hydraulic attach angle tilt cylinder (requires additional valve)
- Reversible carbide edges
- Curb shoes (shown)

Craig Manufacturing Ltd. warrants to the original purchaser all products manufactured by CRAIG to be free from defects in material and workmanship for a period of (12) months starting from the date of delivery from factory unless otherwise specified.

**CRAIG**  
QUALITY WE STAND BEHIND  
Attachments • Built Right • Fit Right