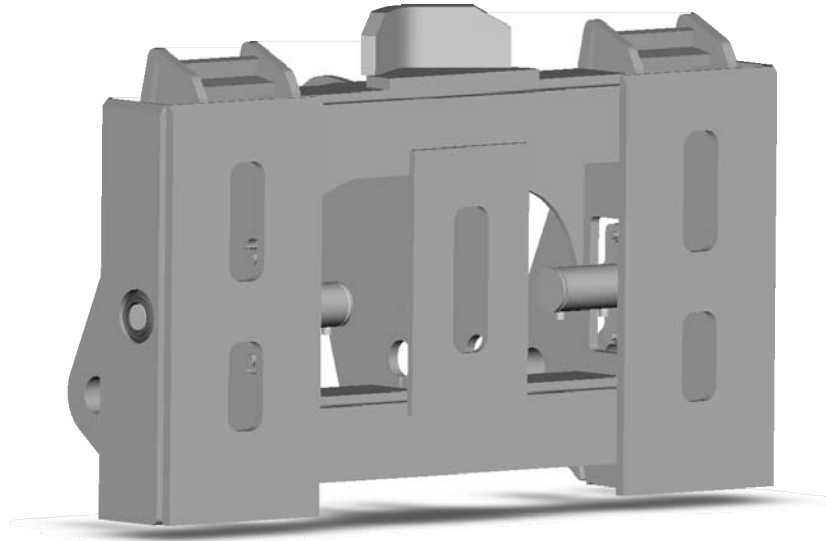


QKM Quik-Key Coupler System For Wheel Loaders



Overview

- Self-aligning snout lock made from 1" plate
- 3/4" plate side and back plates
- 5" x 5" x 3/4" square tube boxed construction
- Two 2.5" Bore, 1" shaft 3.5" stroke cylinders actuate locking pins
- Cylinders operate at pilot pressure, rated to 1000psi
- 2" x 9.5" chrome Induction hardened locking pins
- Lockin pins feature 1/2" chamfer and 10° wrist articulation for seamless locking even when coupler is not perfectly aligned

Craig Manufacturing Ltd. warrants to the original purchaser all products manufactured by CRAIG to be free from defects in material and workmanship for a period of (12) months starting from the date of delivery from factory unless otherwise specified.

CRAIG
QUALITY WE STAND BEHIND
Attachments • Built Right • Fit Right