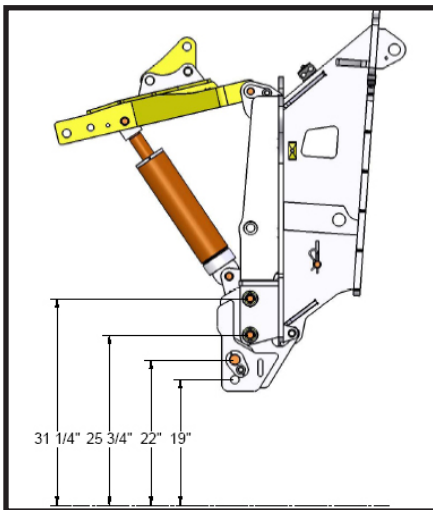


## 100PH UNIVERSAL PLOW HARNESS SETUP

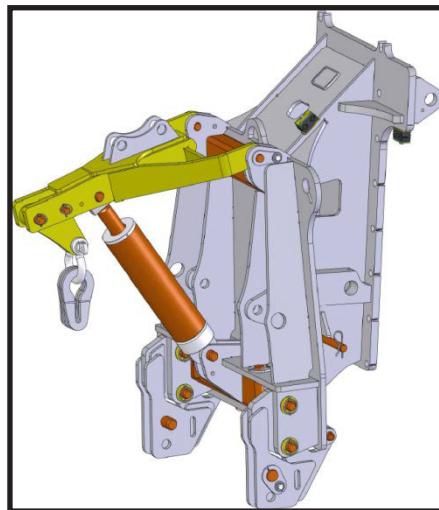
The Craig universal plow harness is a complex plow harness capable of using Craig, Viking and Champion attachments. The following will demonstrate how each type of attachment works with the Craig harness.

When using Craig and Viking attachments the drop blocks and down pressure lug are to be used. Craig attachments will use the 1- 1/2" lock pins and most Viking attachments will use the 1- 1/4" lock pins. The down pressure lug is to be mounted on the A-frame as shown.

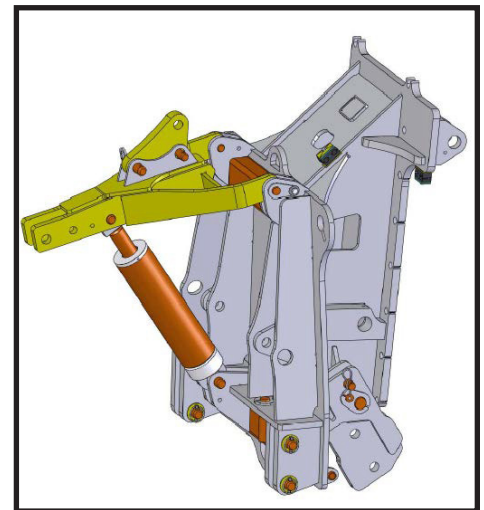
When using a Champion attachment; swing the drop blocks back to their storage position and attach the down pressure lug into its storage position atop the A-frame.



**FIGURE 1 - POSITIONS FOR LOCK PINS**



**FIGURE 2 - CONFIGURATION FOR CRAIG AND VIKING ATTACHMENTS, USING DROP BLOCKS AND DOWN PRESSURE LUG**



**FIGURE 3 - CONFIGURATION FOR CHAMPION ATTACHMENTS, NOTICE THE DROP BLOCKS AND DOWN PRESSURE LUG HAVE BEEN SWUNG AROUND INTO STORAGE POSITION**

**Different pin diameters have different pin heights off the ground. The 1-1/4" pin on the drop block is at an approximately 19" height, the 1-1/2" at 22", and the two upper 1-1/4" pins are at 25-3/4" and 31-1/4".**

**HARTLAND BRANCH**  
96 McLean Avenue  
Hartland, New Brunswick  
E7P 2K5 Canada

**CAMBRIDGE BRANCH**  
315 Thompson Drive  
Cambridge, Ontario  
N1T 2B3 Canada

**BLACKFALDS BRANCH**  
88 27323 TWP Rd 394  
Lacombe County, Alberta  
T4M 0S1 Canada

**LAWRENCEBURG BRANCH**  
408 Commerce Way  
Ethridge, Tennessee  
38456 USA